



SYNTON-TECH CORPORATION
VARIABLE WIRE WOUND
POWER RESISTORS

File No.:	FVR-02
Version:	A
Page:	1/4
Date:	2021.01.01

1. FVR RESISTOR SERIES

It consists of a Shaped ceramic form wound with copper or chromium-alloy wire as a resistance element. Except for the slide contact surface, the entire component is coated with a high-temperature, non-flammable resin. After cooling and drying, insulation is applied through a high-temperature process. Then, a centered rotating adjuster component is installed, which slides along the resistance element and varies the resistance to the desired value. The scope of the application includes educational modeling, load simulations, industrial machinery RPM adjustment, voltage and current adjustment, instruments, and automated control installations. For custom specifications, please contact us to discuss the details.

APPROVED	CHECKED	DESIGNED	REMARK	DOCUMENT NO.
Carol	May	Chen		0201010127



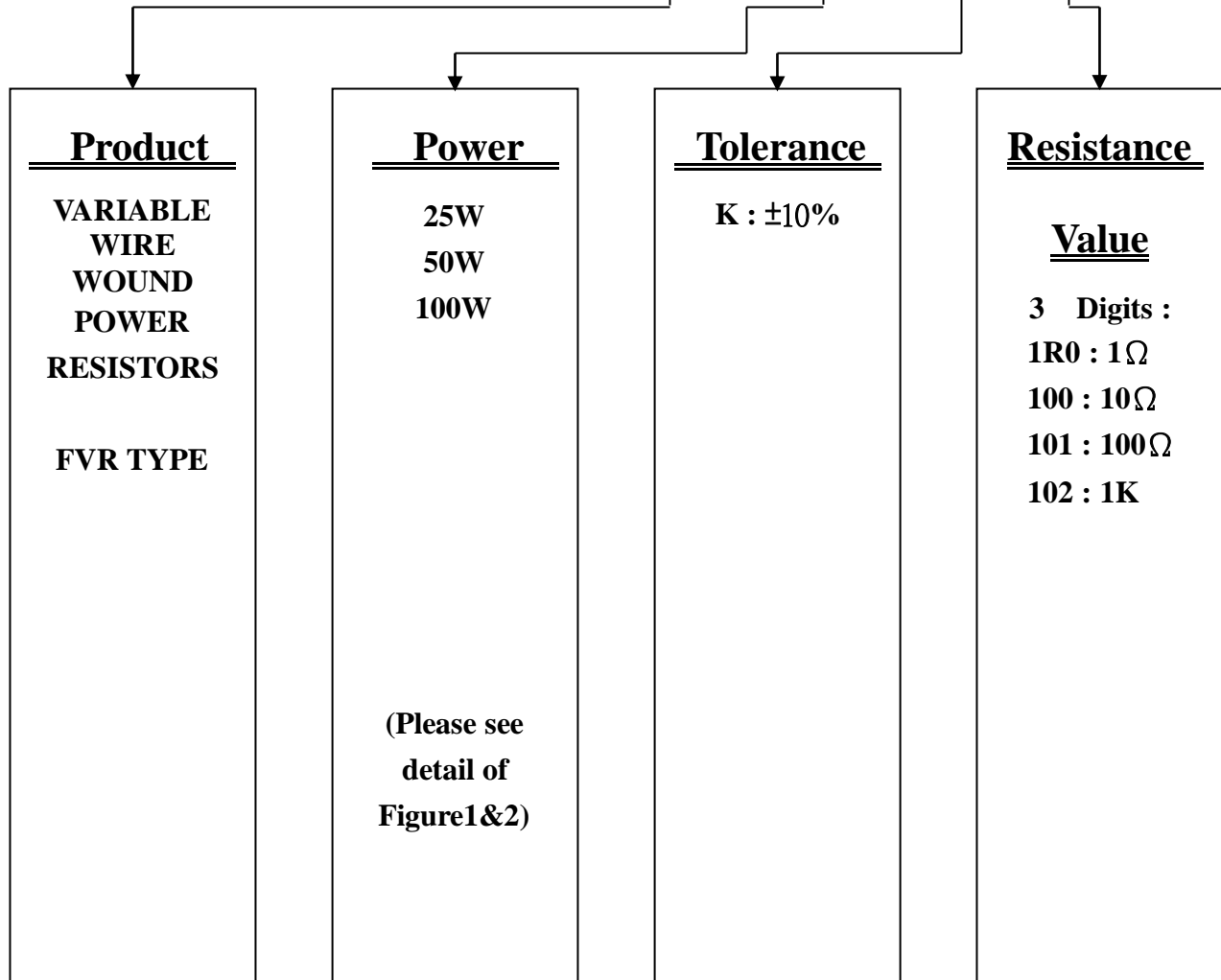
SYNTON-TECH CORPORATION
VARIABLE WIRE WOUND
POWER RESISTORS

File No.:	FVR-02
Version:	A
Page:	2/4
Date:	2021.01.01

2. EXPLANATIONS OF ORDERING CODE

Example : DESCRIPTION : FVR 100W 10% 100Ω

SYNTON CODE : FVR 100W K 101





SYNTON-TECH CORPORATION

VARIABLE WIRE WOUND POWER RESISTORS

File No.:	FVR-02
Version:	A
Page:	3/4
Date:	2021.01.01

3. FEATURE

- Smoke is emitted during the initial conductance of electricity by the resistor, but this is normal and the component is safe to use.
- Resistor coating complies with the U.S. UL-94 non-flammability test, Class V-O, a continuous combustion period of zero seconds.
- Convenient installation, durable, and has good heat Dissipation characteristics.
- Has good heat resistance and large electric power load Capability.
- Low temperature coefficient and resistance variance Is directly proportional.
- Insulation resistance :100M Ω .
- Voltage resistance: more than 1,500VAC/minute.
- Application temperature :less than 280°C
- Resistance tolerance of $\pm 10\%$.

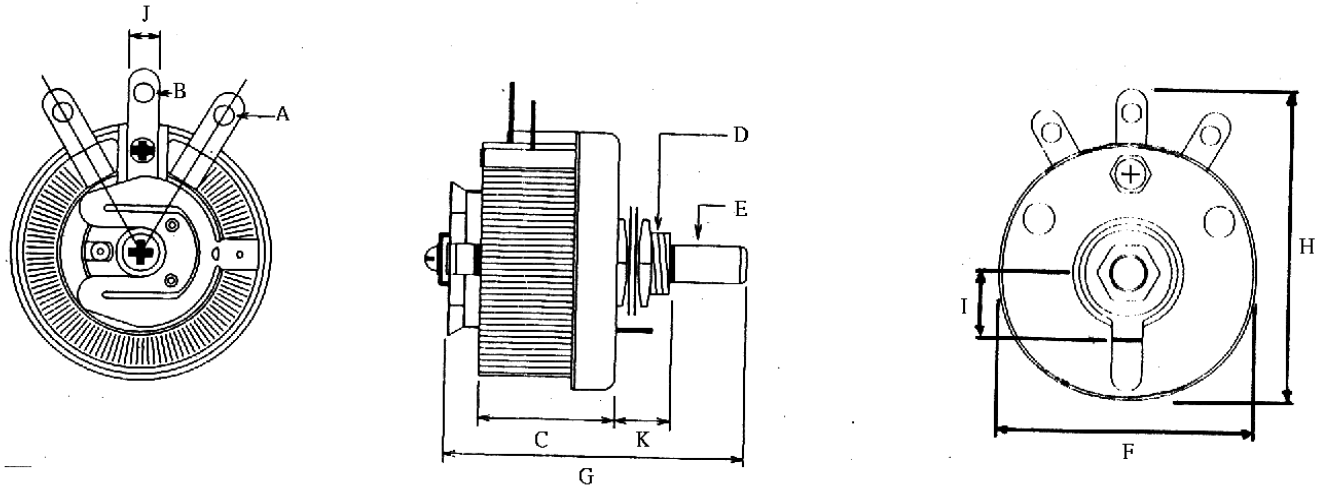


SYNTON-TECH CORPORATION
VARIABLE WIRE WOUND
POWER RESISTORS

File No.:	FVR-02
Version:	A
Page:	4/4
Date:	2021.01.01

4. DIMENSIONS

FVR-25W
FVR-50W
FVR-100W



WATTS	DIMENSIONS(mm)											RESISRANCE RANGE(Ω)
	A	B	C	D	E	F	G	H	I	J	K	
25W	2.5	3.2	22	3/8"	6X12	42	50	50	11	5	10	5 Ω ~2.2K Ω
50W	4.2	4.2	27	3/8"	6X10	64	52	70	11	8	15	7 Ω ~3.5K Ω
100W	4.2	4.2	42	3/8"	6X15	85	72	97	11	8	15	10 Ω ~5K Ω

Figure1