

CHIP NETWORK

YC TYPE

APPLICATION

Free from troubles at placement due to accurate and uniformed physical dimensions. SYNTON-TECH's YC Series are suitable for all kinds of high-tech products, such as telecommunication equipments, lap-top computers, notebook computers.

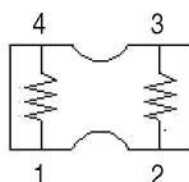
DIMENSIONS

Unit : mm

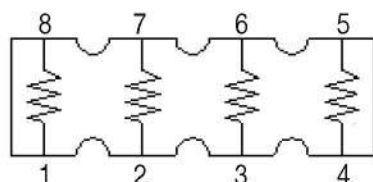
	TYPE	NUMBER OF RESISTORS	A	B	C	D	E	F	G
	YC122	4P2R	0.34 ± 0.1	1.0 ± 0.1	0.67 ± 0.1	1.0 ± 0.1	0.35 ± 0.1	0.2 ± 0.15	0.25 ± 0.1
	YC124	8P4R	0.3 ± 0.15	2.0 ± 0.1	0.5 ± 0.1	1.0 ± 0.15	0.40 ± 0.1	0.2 ± 0.15	0.25 ± 0.15
	YC16	8P4R	0.5 ± 0.15	3.2 ± 0.2	0.8 ± 0.2	1.6 ± 0.2	0.55 ± 0.1	0.3 ± 0.2	0.3 ± 0.2
	YC24	16P8R	0.3 ± 0.1	4.0 ± 0.2	0.5 ± 0.2	1.6 ± 0.15	0.45 ± 0.1	0.3 ± 0.2	0.3 ± 0.2

SCHEMATICS

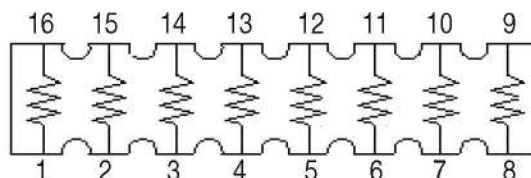
YC122



YC16 YC124



YC24



CHARACTERISTICS

ITEMS	YC122	YC124	YC16	YC24
POWER RATING	1/16W (0402)	1/16W (0402)	1/10W (0603)	1/16W (0402)
MAX. WORKING VOLTAGE	25V	25V	50V	50V
RESISTANCE TOLERANCE	$\pm 5\%$ (J), $\pm 1\%$ (F)			
RESISTANCE RANGE	10 ohm~1M ohm			
T.C.R.	± 200 PPM/ $^{\circ}$ C			
JUMPER RATED CURRENT	1A			2A
OPERATING TEMP. RANGE	-55° C ~ $+155^{\circ}$ C			
RATING TEMPERATURE	$+70^{\circ}$ C			

ORDERING CODE AND MARKING

Type	No. of Resistors	Tolerance	Resistance
YC16	4R	J	563

Marking
Example :563(56K ohm)

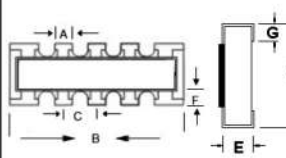
PACKAGING

Unit : pcs

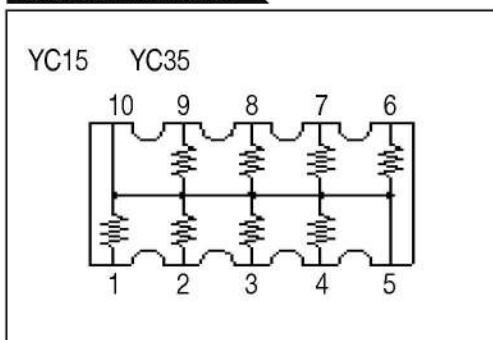
RESISTOR TYPE	2R	4R	8R
YC122	10,000	—	—
YC124	—	10,000	—
YC16	—	5,000	—
YC24	—	—	5,000

DIMENSIONS

Unit : mm



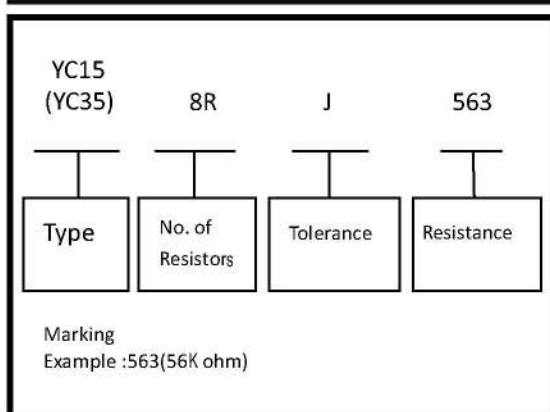
TYPE	NUMBER OF RESISTORS	A	B	C	D	E	F	G
YC15	10P8R	0.45±0.15	3.2±0.2	0.64±0.05	1.6±0.15	0.6±0.1	0.3±0.15	0.35±0.15
YC35	10P8R	1.1±0.15	6.4±0.2	1.27±0.05	3.2±0.2	0.6±0.1	0.5±0.2	0.5±0.15

SCHEMATICS**RATINGS**

ITEMS	YC15	YC35
POWER RATING	1/16W (0402)	1/16W (0402)
MAX. WORKING VOLTAGE	25V	50V
RESISTANCE TOLERANCE	±5% (J)	
RESISTANCE RANGE	10R-100K	
T.C.R.	±200PPM/°C	
NUMBER OF RESISTORS	8	
OPERATING TEMP. RANGE	-55°C ~ +155°C	
RATING TEMPERATURE	+70°C	

CHARACTERISTICS

TEST	TEST METHOD	LIMITS
TEMPERATURE COEFFICIENT	MIL-STD-202F, Method 304 -55°C ~ +155°C	±200ppm/°C
THERMAL SHOCK	MIL-STD-202G Method 107G 5 cycles, -55°C ~ +155°C (step by step 2min)	±(1%+0.05Ω)
SHORT TIME OVERLOAD	MIL-R-55342D, Para.4.7.5 2.5times RCWV for 5 seconds	±(2%+0.1Ω)
INSULATION RESISTANCE	MIL-STD-202F, Method 302 RCOV for 1 minute	≥10GΩ
DIELECTRIC WITHSTAND VOLTAGE	MIL-STD-202F, Method 301 R.M.S for 1 minute	by Type
RESISTANCE TO SOLDERING HEAT	MIL-STD-202G Method 210F soldered to test board at 260°C ±5°C for 10 seconds	±(1%+0.05Ω)
MOISTURE RESISTANCE	MIL-STD-202G, Method 106F 42 cycles, total 1000 hours	±(2%+0.05Ω)
LIFE	MIL-STD-202F, Method 108A 1000 hours at 70°C RCWV intermittent	±(3%+0.1Ω)
SOLDERABILITY	MIL-STD-202F, Method 208G 245°C ±3°C for 5 seconds	95% min. coverage
BENDING STRENGTH	JIS-C-5201, Para. 4.33 Unit mounted in center of 90mm board length, deflected 1mm 1n either direction for 5 seconds	±(1%+0.05Ω)

ORDERING CODE AND MARKING**PACKAGING**

Unit : pcs

TYPE	RESISTOR	8R
YC15		5,000
YC35		4,000