



SYNTON-TECH CORPORATION

CHIP UNSHIELDED POWER INDUCTORS (CIW-TP0302B TYPE)

File No. : CIW-TP0302B-02

Version : A

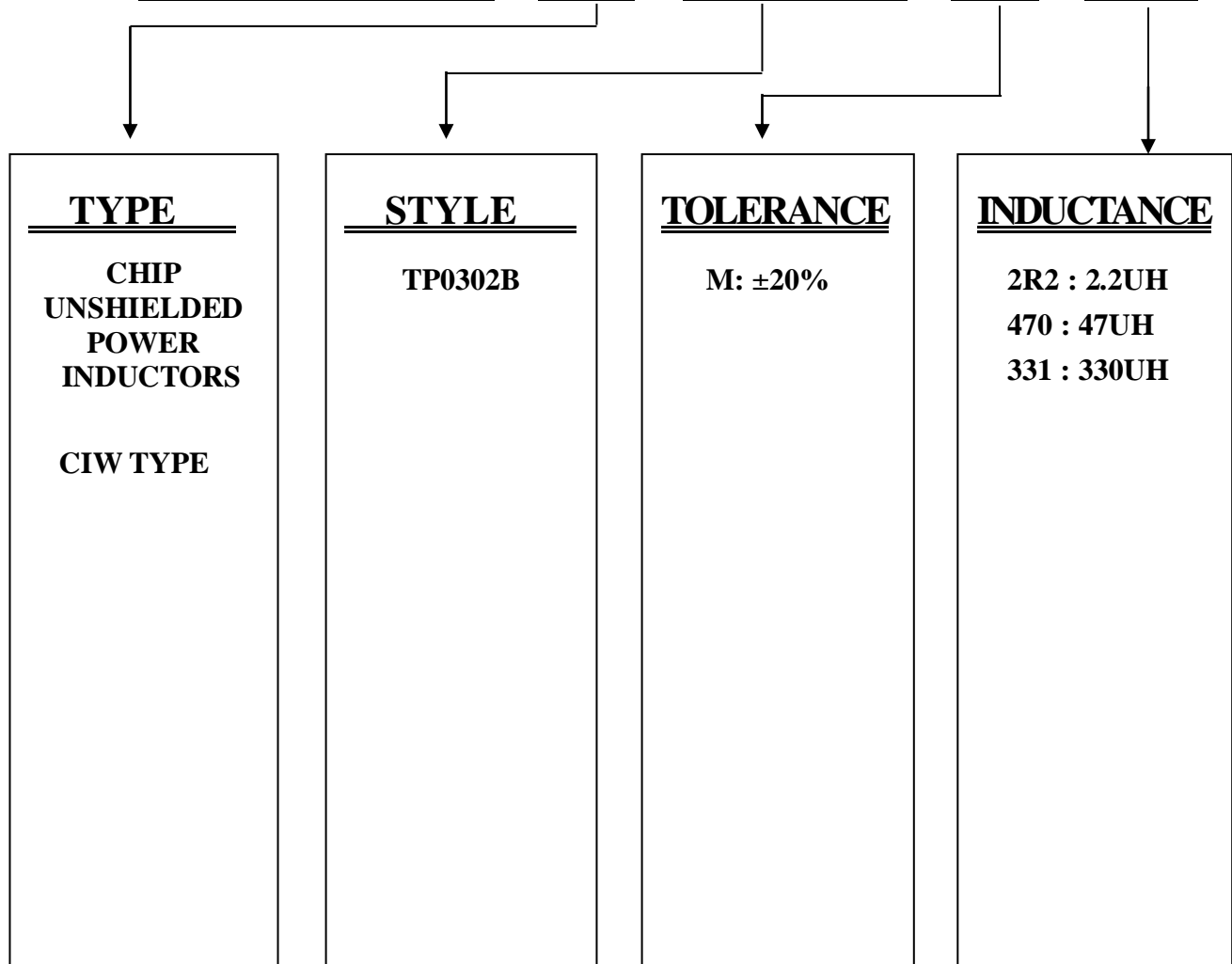
Page : 1/3

Date : 2021.01.01

1. EXPLANATIONS OF ORDERING CODE

DESCRIPTION : CIW-TP0302B 20% 47UH

SYNTON CODE : CIW - TP0302B M 470



APPROVED	CHECKED	DESIGNED	REMARK	DOCUMENT NO.
Carol	May	Chen		0201010552



SYNTECH CORPORATION

CHIP UNSHIELDED POWER INDUCTORS (CIW-TP0302B TYPE)

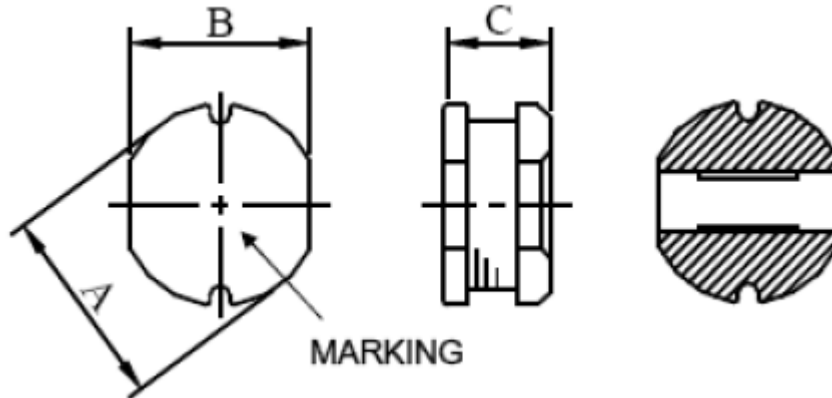
File No. : CIW-TP0302B-02

Version : A

Page : 2/3

Date : 2021.01.01

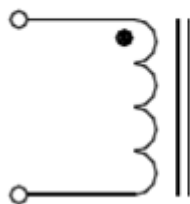
2. DIMENSIONS



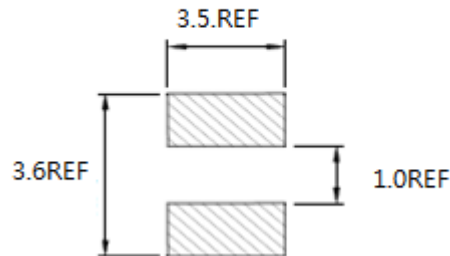
Unit: mm

TYPE	A	B	C
CIW-TP0302B	3.7 ±0.3	3.0 ±0.3	2.1 ±0.3

SCHEMATICS:



LAND PATTERNS:





SYNTECH CORPORATION

CHIP UNSHIELDED POWER INDUCTORS (CIW-TP0302B TYPE)

File No. : CIW-TP0302B-02

Version : A

Page : 3/3

Date : 2021.01.01

3. ELECTRICAL CHARACTERISTICS

- **Electrical Specifications**

Type	Inductance @100KHz/0.25V	DCR (MAX)	Rated Current (MAX)
	uH	Ω	A
CIW-TP0302BM470	47	1.582	0.45

- **Materials**

Ope. Temp.	Storage Temp. & Humidity	IR-Reflow Temp.
-40°C~105°C	50%~80% RH (Generally:65%~75%)	255°C \pm 5 °C

- **Test equipment**

HIOKI3532

CH1062A

CH1320